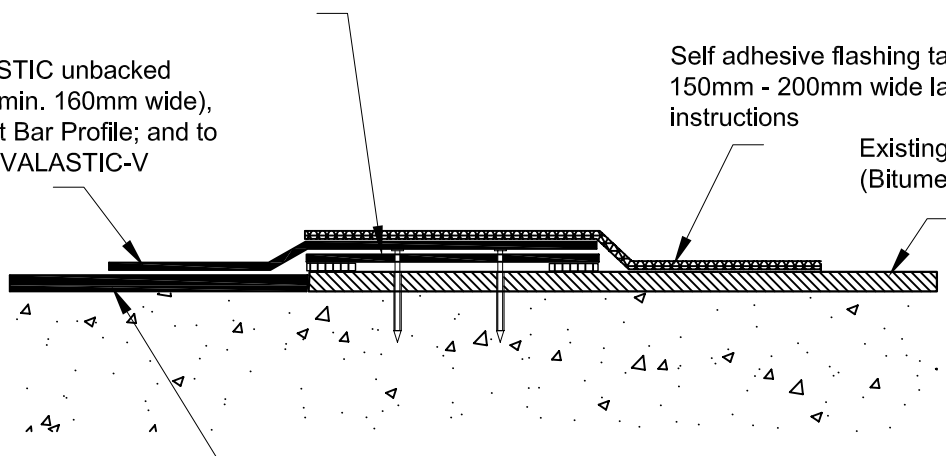


Eva-Metal/Evalastic-Metal Flat Bar Profile, bedded in two full rows of Tremco Mon-lasto-meric sealant and fixed in position with ICB approved fasteners at max. 300mm staggered centres.

EVALON/EVALASTIC unbacked membrane tape (min. 160mm wide), welded to the Flat Bar Profile; and to the EVALON-V/EVALASTIC-V Membrane.

Self adhesive flashing tape (eg. Flashband) 150mm - 200mm wide laid to manufacturers instructions

Existing Roof Covering (Bitumen Felt or Asphalt).



EVALON-V/EVALASTIC-V membrane to be attached to the substrate as per ICB Recommendations.

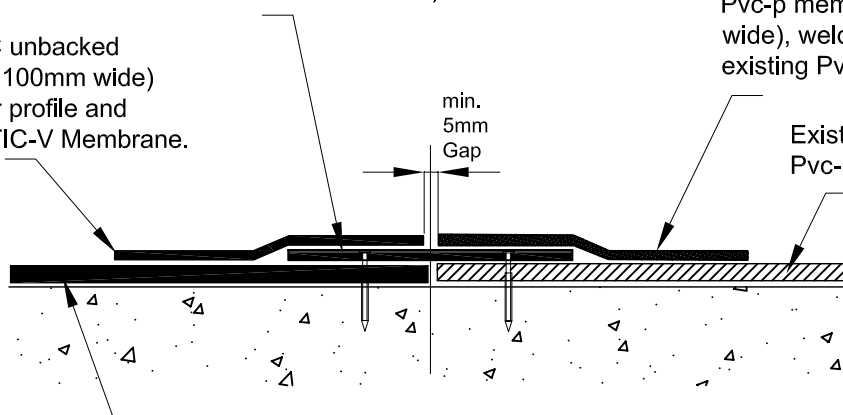
Connection to existing bitumen or asphalt roof

EVA-Metal/Evalastic-Metal Flat Bar Profile, min 100mm wide; fixed in position with approved fasteners. (Staggered at max.300mm centres).

EVALON/EVALASTIC unbacked membrane tape (min. 100mm wide) welded to the Flat Bar profile and EVALON-V/EVALASTIC-V Membrane.

Pvc-p membrane tape (min. 100mm wide), welded to bar profile, and to existing Pvc-p Membrane.

Existing Roof Covering Pvc-p Membrane.



EVALON-V/EVALASTIC-V membrane to be attached to the substrate as per ICB Recommendations.

Connection to existing PVC-P membrane roof

Note 1:-

All Surfaces must be prepared as per ICB Ltd's Written Instructions, and in accordance with the Project Specification.
All Adhesives must be used as per the Manufacturers' Instructions.