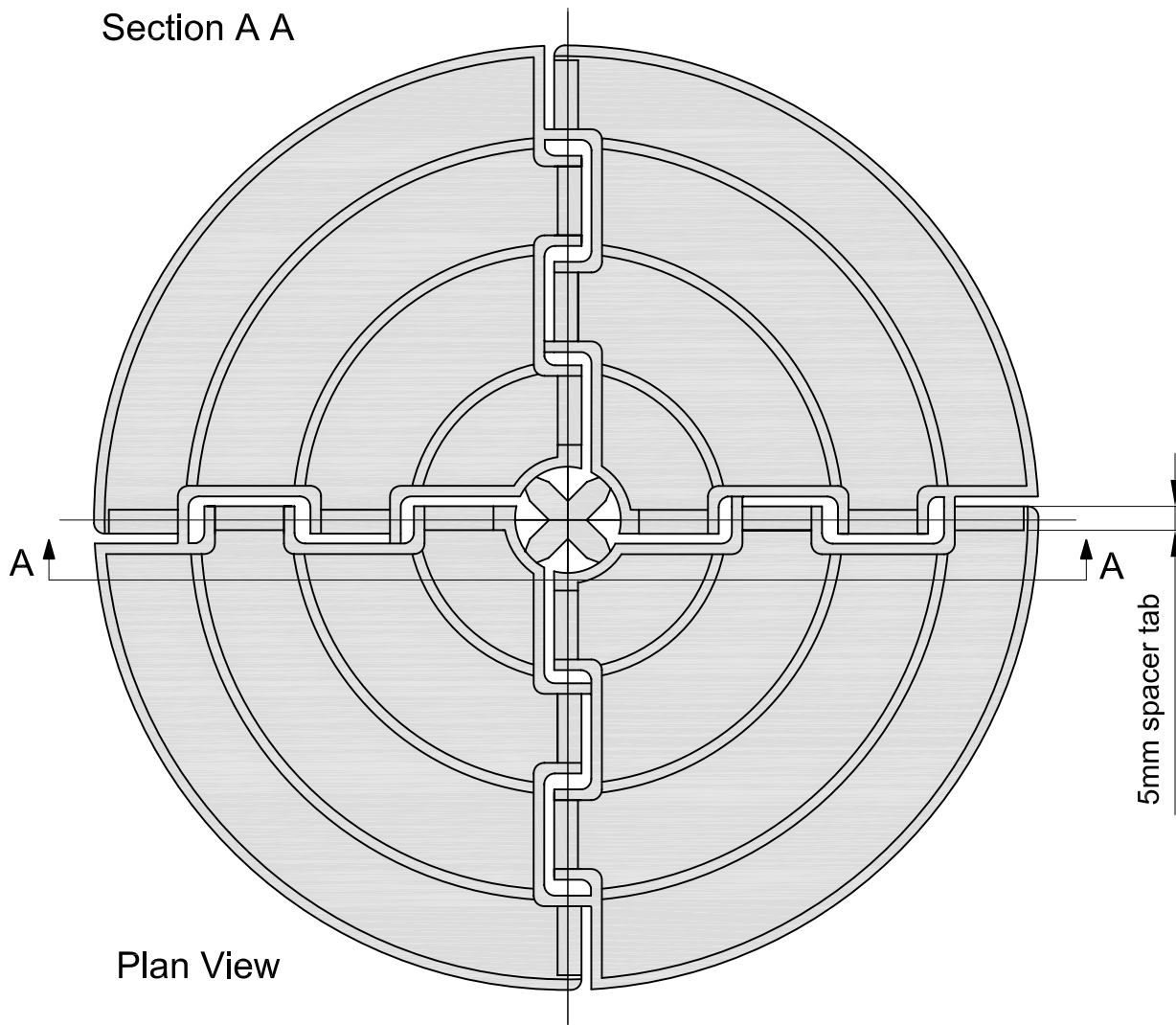
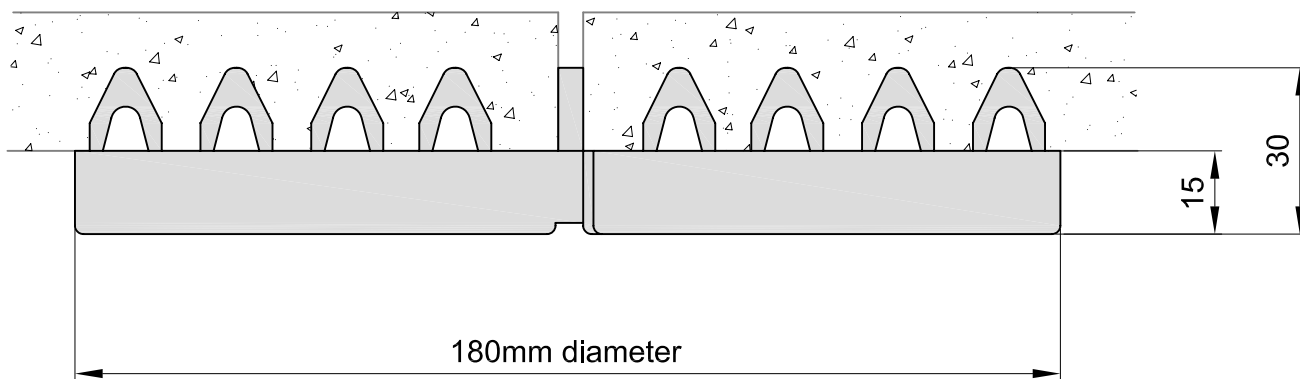


Section A A



Plan View



Specification:

Manufactured from HDPE, colour black

Weight: 130gm

Support can be stacked and separated into quadrants for corner and edge details

Max. load per pad 1200Kgs