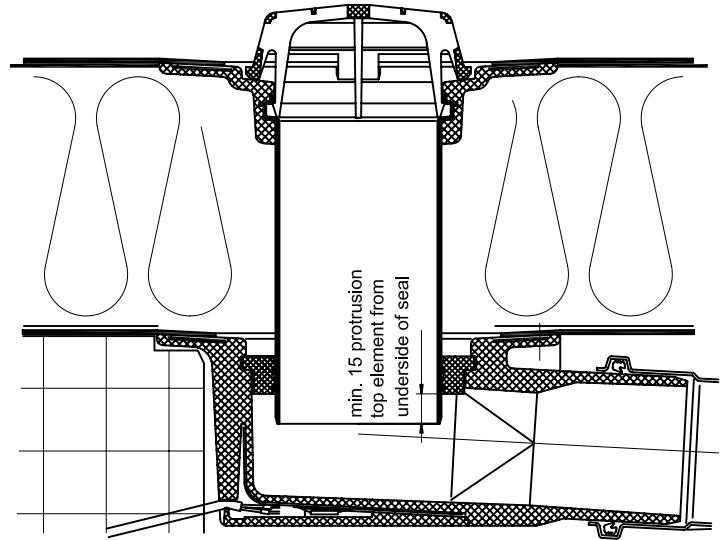


Horizontal Outlet in a Cold Roof System

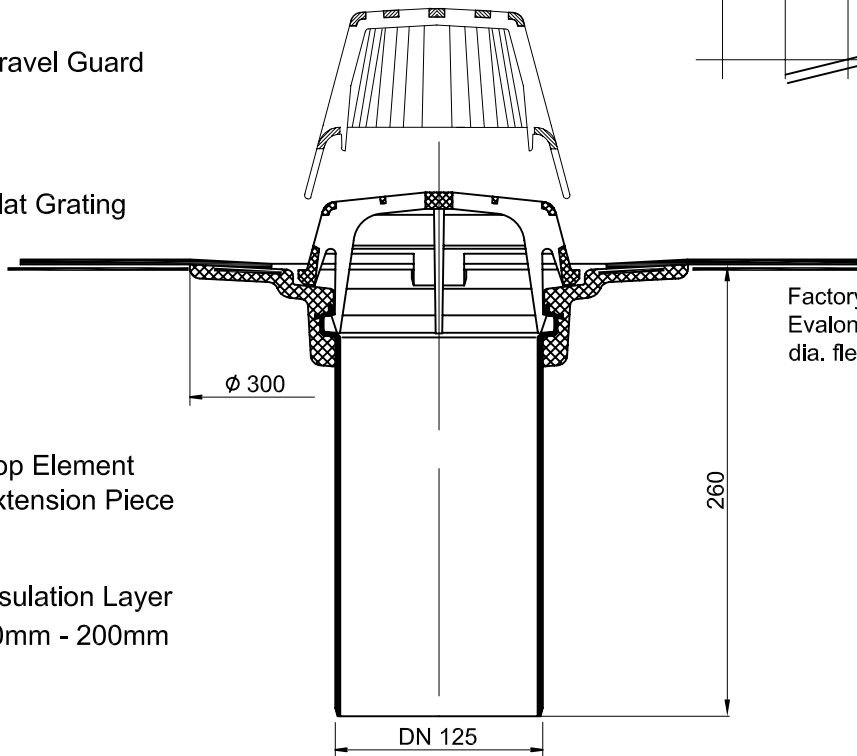
Flexible Evalon/Evalastic connecting flange welded to Evalon-V/Evalastic-V field sheet and factory fused Evalon/Evalastic flange



Horizontal Outlet with Top Element for Warm Roof System

Gravel Guard

Flat Grating

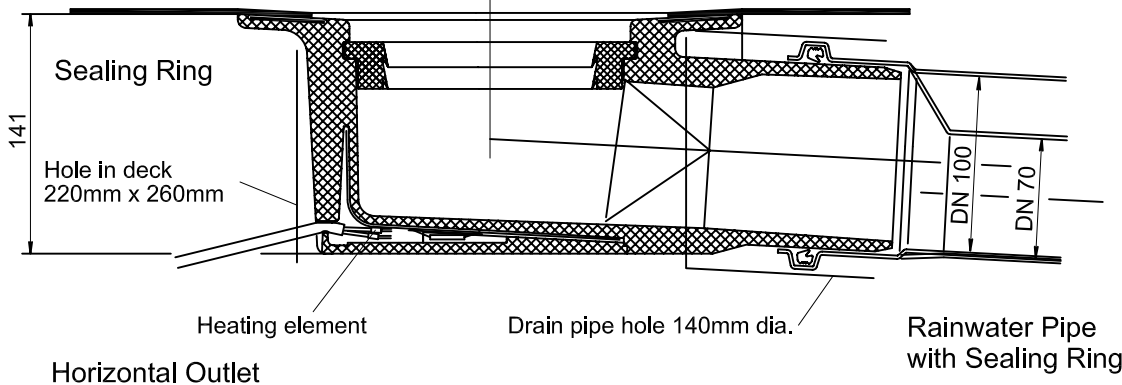


Top Element Extension Piece

Insulation Layer
50mm - 200mm

Factory fused Evalon/Evalastic flange welded to Evalon-V/Evalastic-V field sheet using 500mm dia. flexible Evalon/Evalastic connecting flange

Vapour Control Layer sealed to factory fused Outlet flange



Horizontal Outlet

Heating element

Drain pipe hole 140mm dia.

Rainwater Pipe with Sealing Ring

The Horizontal Outlet is manufactured from injection-moulded rigid polyurethane with a factory fused EVALON or EVALASTIC membrane flange. A Top Element Extension Piece with sealing ring is available for Warm Roof Constructions. Outlet pipe sizes are either 70mm (with reducer 100 x 70 mm) or 100 mm. The rainwater outlet is supplied with a flat grating (flush sieve) and an O-ring (part no 087 RWO 100).