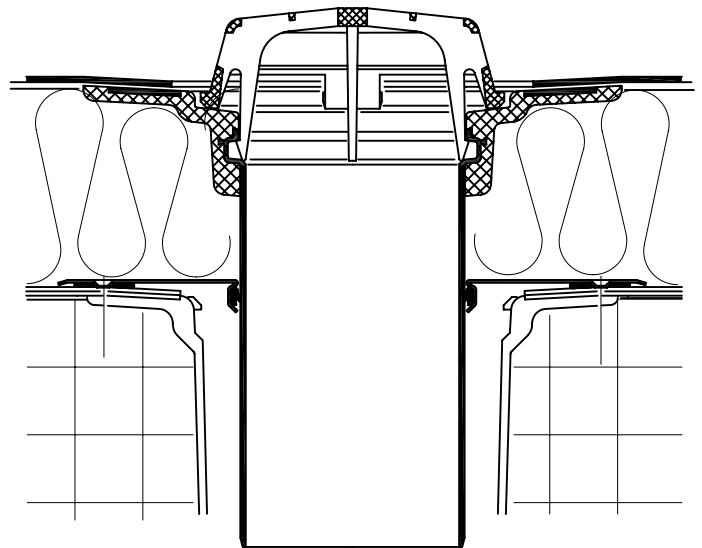
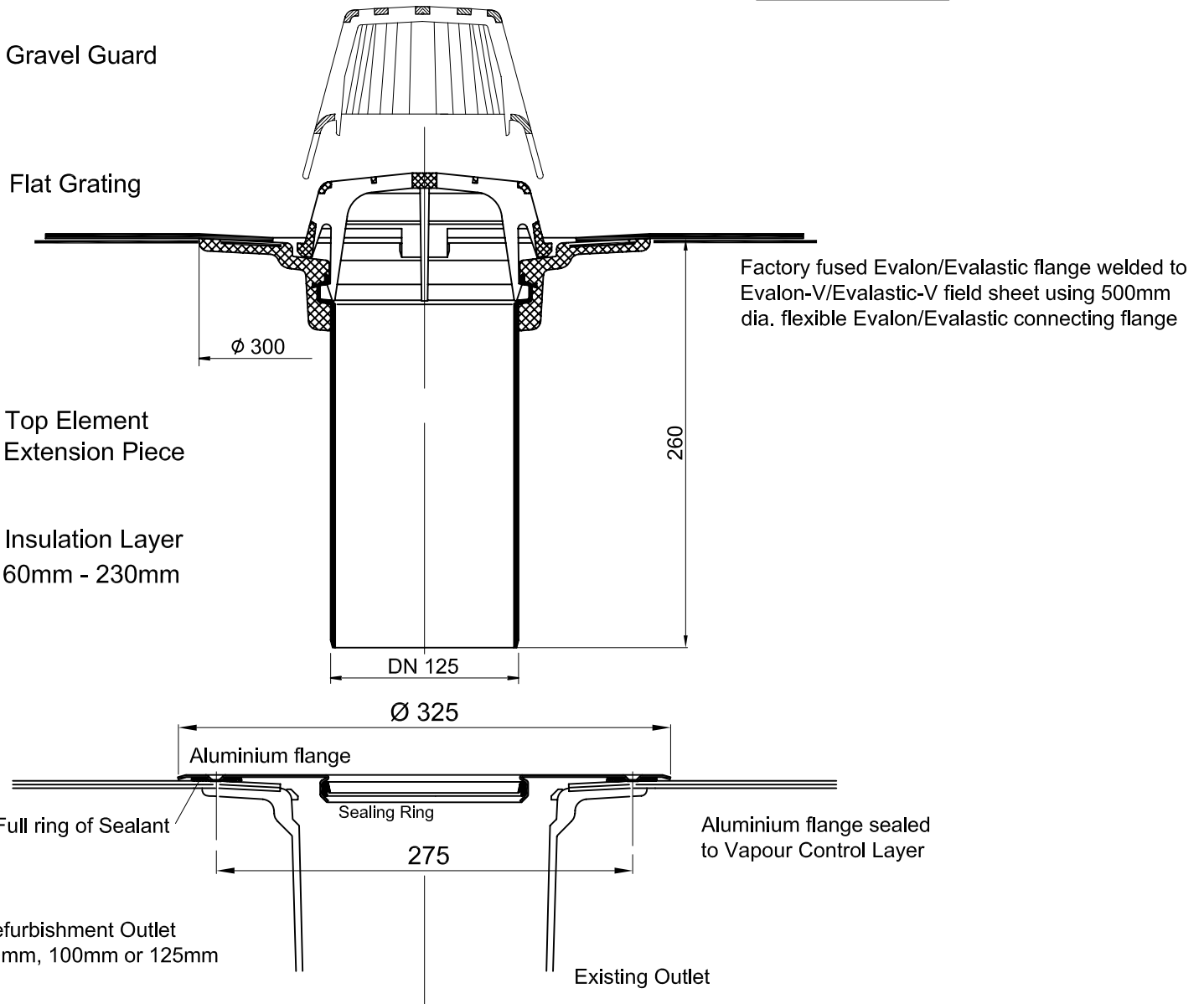


Refurbishment Outlet with 100mm or 70mm Top Element for Warm Roof System



Refurbishment Outlet with 125mm Top Element for Warm Roof System



EVALON-V/EVALASTIC-V Single Ply membrane; to be Fully Adhered to the Substrate using ICB Ltd Approved Adhesives.  
 All to be Laid in Accordance with the Project Specification, the current British Board of Agreement Certificate, alwitra's and ICB Ltd's written instructions.