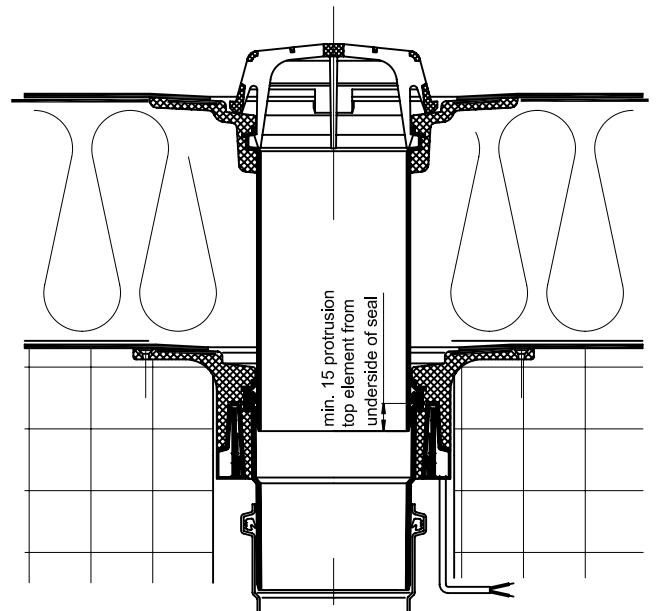


Standard Outlet in a Cold Roof System

Flexible Evalon/Evalastic connecting flange welded to Evalon-V/Evalastic-V field sheet and factory fused Evalon/Evalastic flange



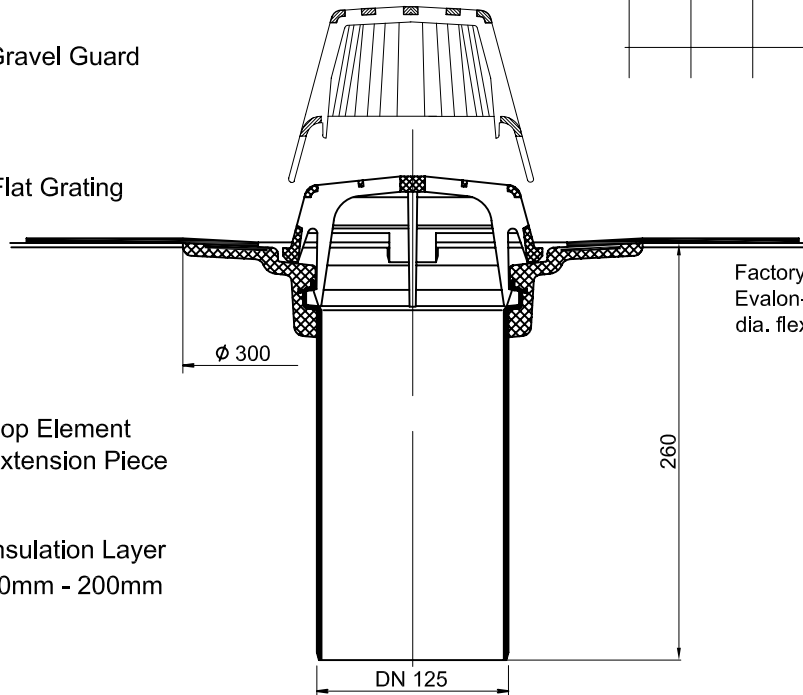
Standard Outlet with Top Element for Warm Roof System

Gravel Guard

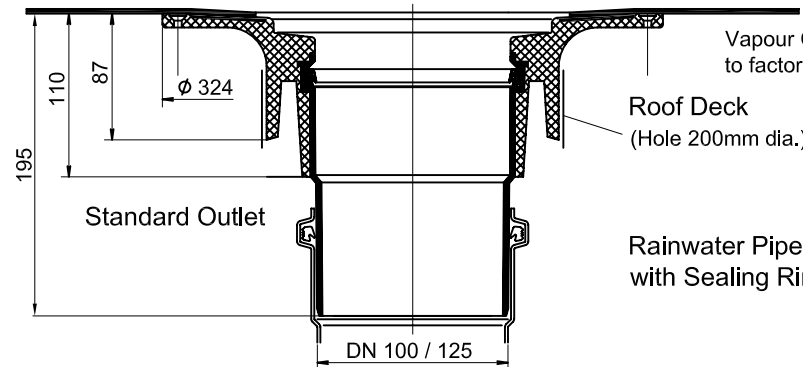
Flat Grating

Top Element Extension Piece

Insulation Layer
50mm - 200mm



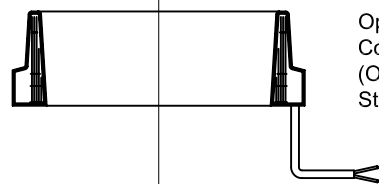
Factory fused Evalon/Evalastic flange welded to Evalon-V/Evalastic-V field sheet using 500mm dia. flexible Evalon/Evalastic connecting flange



Vapour Control Layer sealed to factory fused Outlet flange

Roof Deck
(Hole 200mm dia.)

Rainwater Pipe
with Sealing Ring



Optional Heating Element 24 Volt, 15 Watt, 0.63 Amps. Connection to Mains supply via Safety Transformer (Operated by Frost-stat) complying with British Electrical Standards and IEE Regulations.

Specification:-

The Standard Outlet is Manufactured from Injection Moulded Polyurethane with a factory fused EVALON or EVALASTIC membrane flange. The outlet is supplied complete with a flat grating. A Top Element Extension Piece with sealing ring is available for Warm Roof Constructions. Outlet diameter 125mm or 100mm. Additional Components: Reducers 125/100mm or 125/70mm. Low Voltage Trace Heating Elements. Gravel Guard for Ballasted Roofs.