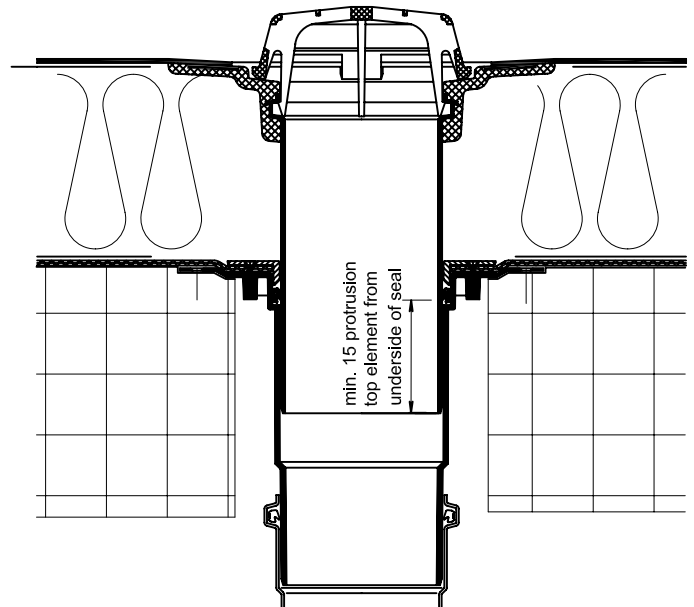


Universal Outlet in a Cold Roof System.

Flexible Evalon/Evalastic connecting flange welded to Evalon-V/Evalastic-V field sheet and clamped to Outlet

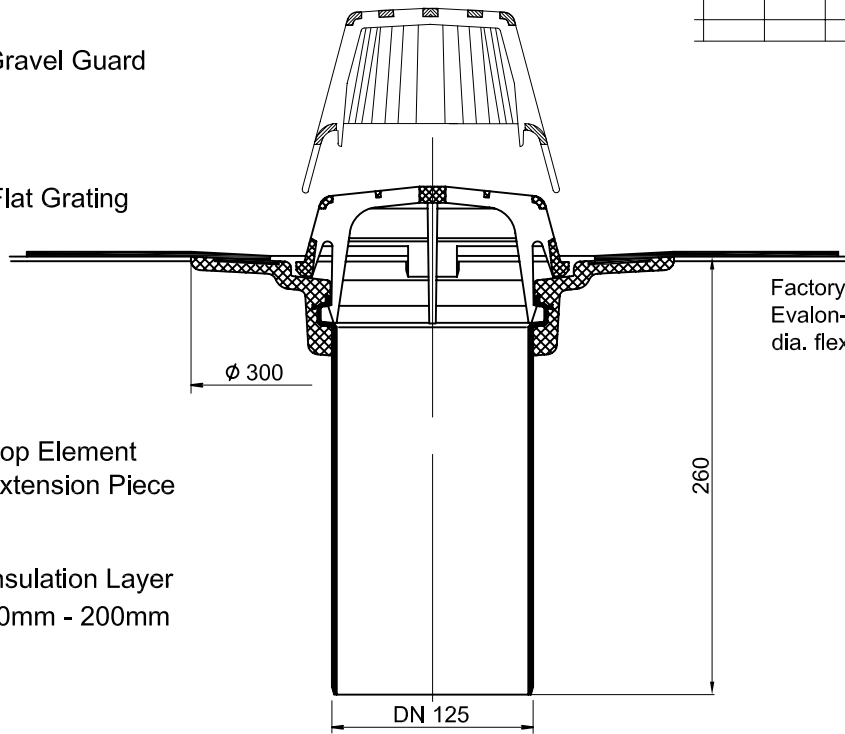


min. 15 protrusion top element from underside of seal

Universal Outlet with Top Element for Warm Roof System.

Gravel Guard

Flat Grating



Factory fused Evalon/Evalastic flange welded to Evalon-V/Evalastic-V field sheet using 500mm dia. flexible Evalon/Evalastic connecting flange

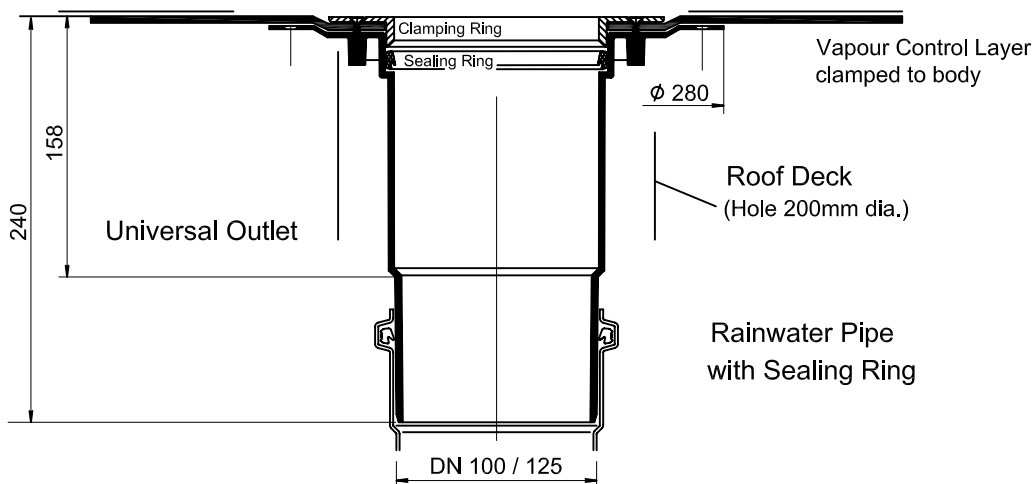
Top Element Extension Piece

Insulation Layer
50mm - 200mm

DN 125

260

Ø 300



Vapour Control Layer clamped to body

Roof Deck
(Hole 200mm dia.)

Rainwater Pipe
with Sealing Ring

Ø 280

Universal Outlet

DN 100 / 125

240

158

The Universal Outlet is manufactured from LDPE and is supplied with an aluminium clamping ring (with fixing screws) and flat grating. The outlet diameter is 125mm or 100mm. A Top Element Extension Piece with sealing ring is available for warm roof constructions. In a cold roof construction the flexible EVALON/EVALASTIC connecting flange is dressed to the outlet and held firmly in position by the clamping ring. Additional components: Reducers 125/100m or 125/70mm. Gravel Guard for Ballasted Roofs

EVALON-V/EVALASTIC-V Single Ply membrane; to be fully adhered to the Substrate using ICB Ltd Approved Adhesives. All to be Laid in accordance with the Project Specification, the current British Board of Agreement Certificate, alwitra's and ICB's written instructions.