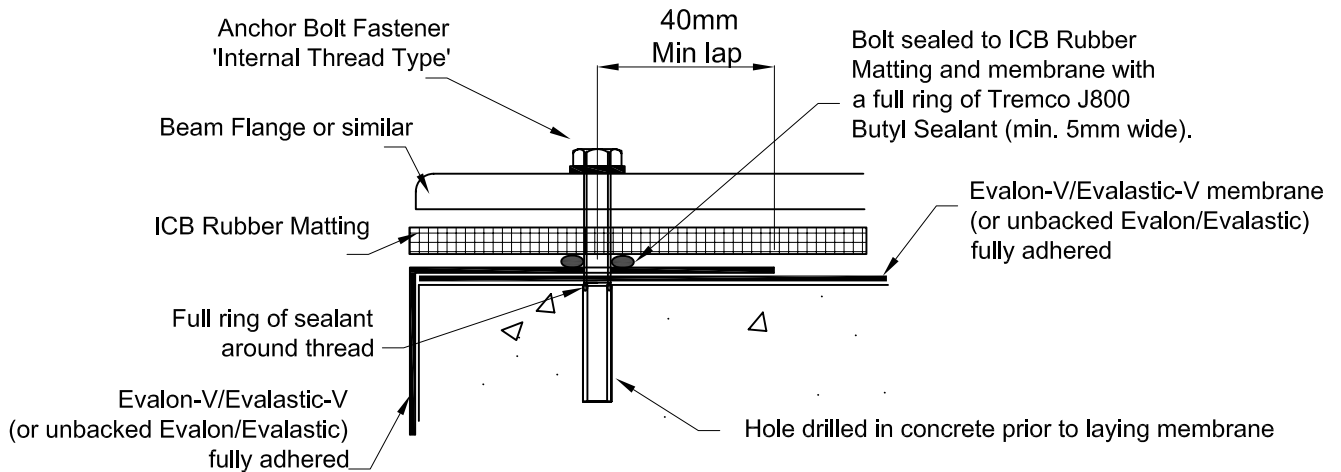


Penetration through Membrane

Cut hole in Membrane to allow Anchor Bolt to be inserted.
 Apply Sealant adjacent to thread.
 Lay ICB Rubber Matting into sealant (whilst 'green').
 Offer Beam Flange or similar to bolt.
 Apply nut and tighten to correct torque.



Alternative solution for fixed plant

