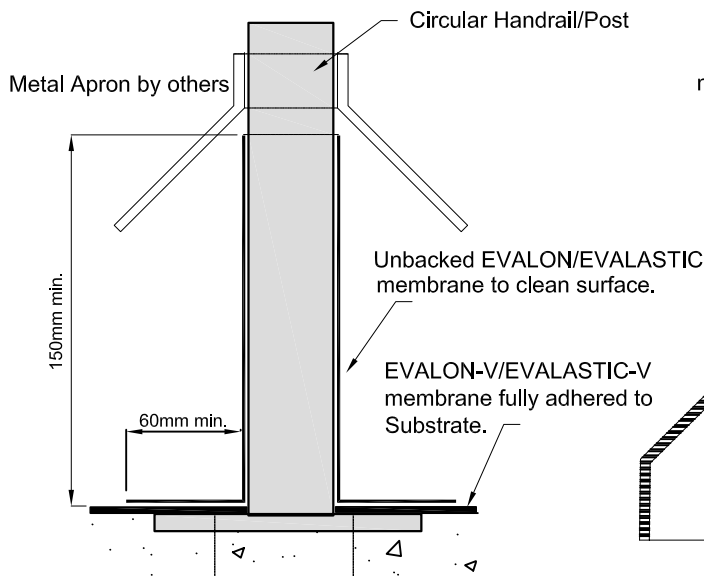
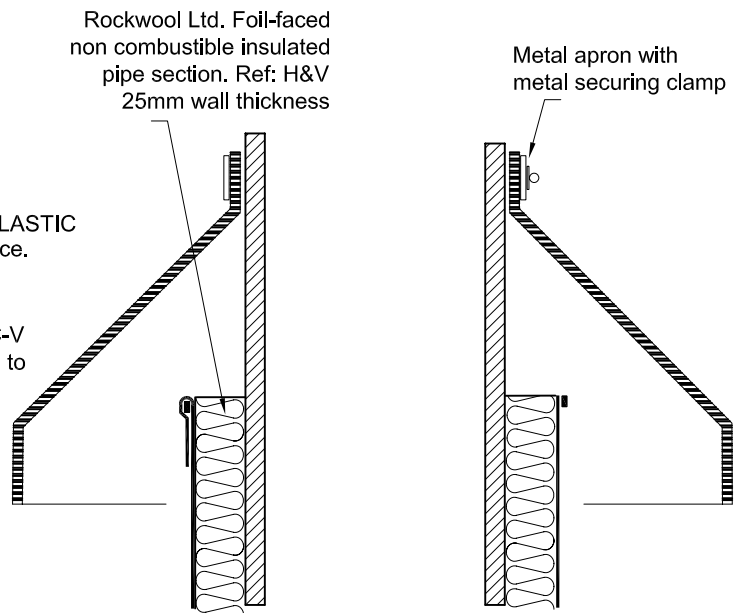


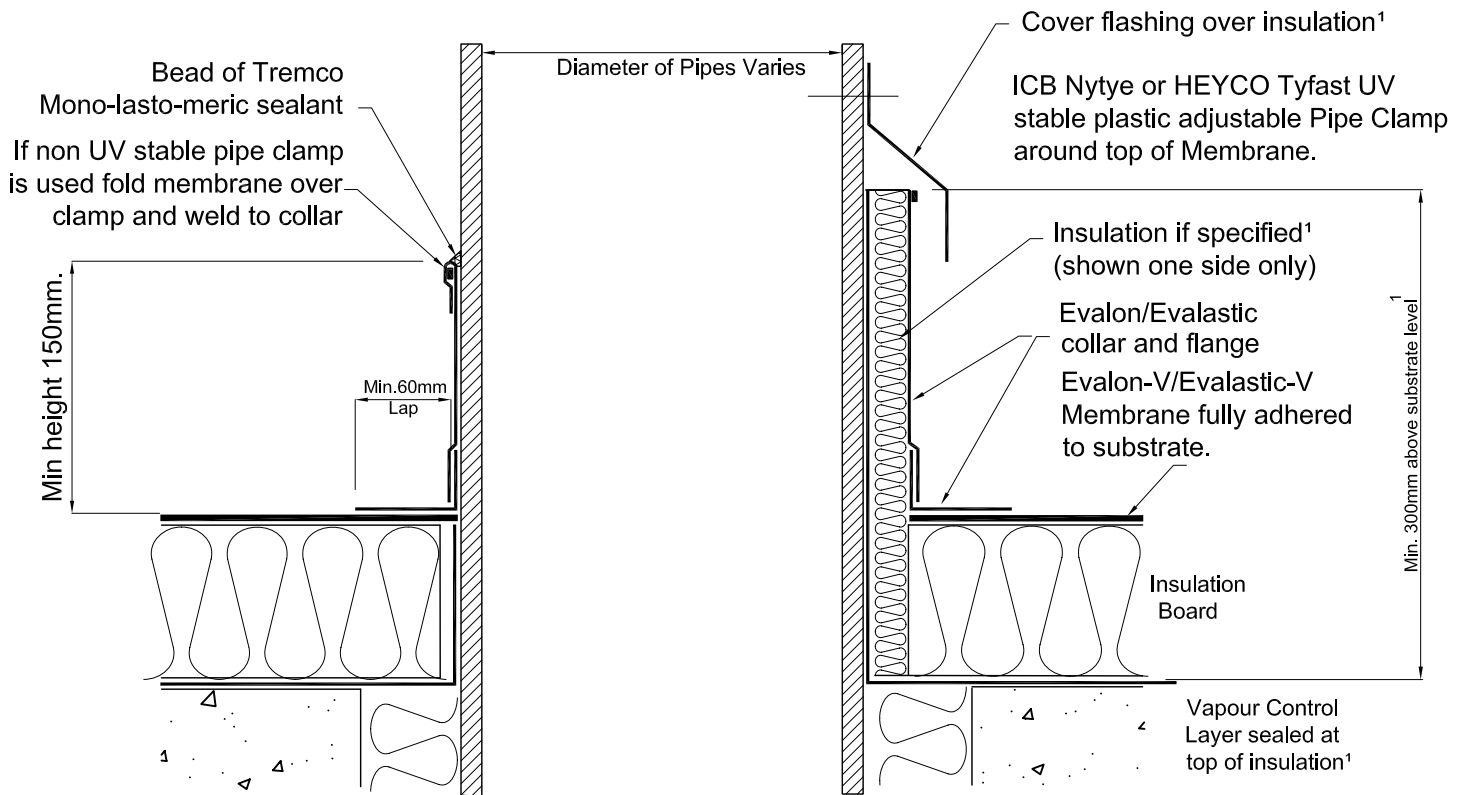
Rev. No.	Revision Note	Date	Signature	Checked
1	Conservation to Fuel & Power - SPRA Recommendations	24-05-04	RCT	



Handrail/Post Detail



Typical Hot Flue Pipe



Section Through Pipe/Post

Typical detail for: Soil Stacks, Vent Pipes, Sun Pipes, Posts, Fall Arrest System Bolts, Anchor Points etc.

Notes: Carefully clean and prepare pipe surface. Lay membrane to flat areas. Membrane flange to be welded to main roof sheet min. lap 60mm. Membrane collar min. 150mm high from roof covering to be bonded to pipes. Weld Collar to flange.

All Surfaces must be prepared as per ICB Ltd's Written Instructions, and in accordance with the Project Specification. All Adhesives must be used as per the Manufacturers' Instructions.

¹ To avoid thermal bridging, the upstand must be insulated to achieve a min. thermal resistance ('R' value) = 0.75 m²K/W. This can be achieved by use of insulation as shown above or by other methods (eg. thermal insulation blocks)¹

Owner



Title/Name

Typical Skirting Detail to Circular Roof Penetrations

Drawing Number

3.10

Drawn By

RCT

Date

01-11-03

Scale

nts