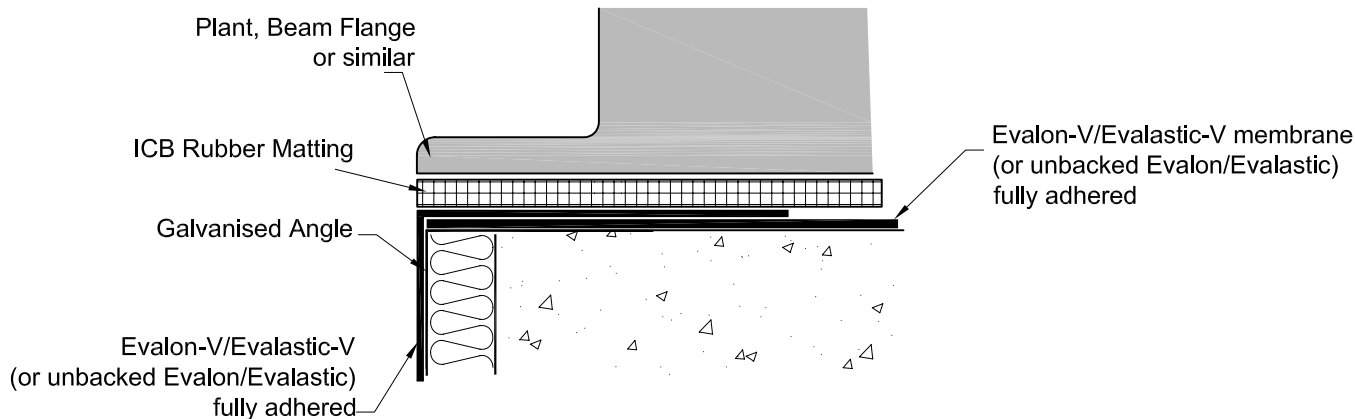
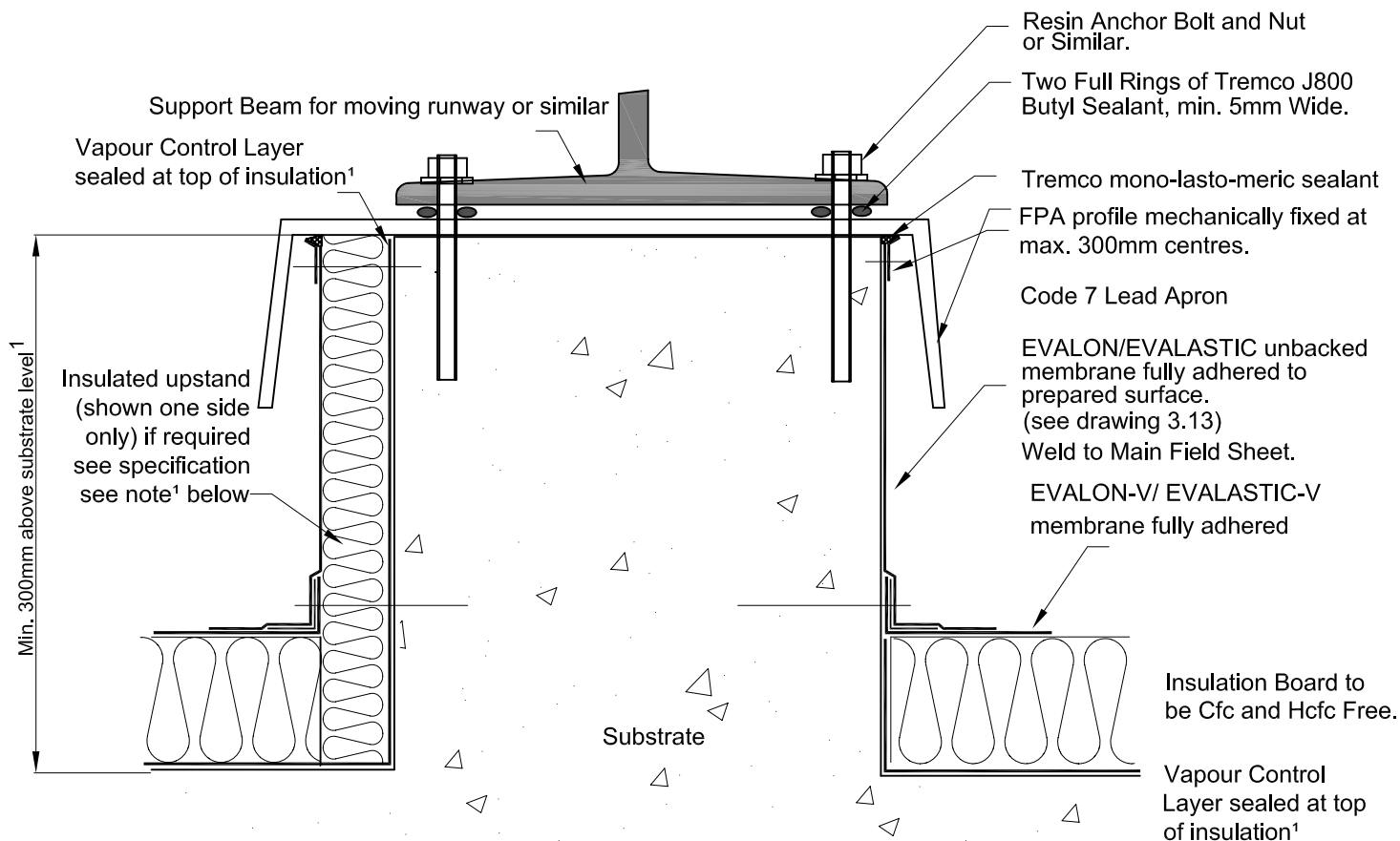


Rev. No.	Revision Note	Date	Signature	Checked
1	Conservation to Fuel & Power - SPRA Recommendations	24-05-04	RCT	



Alternative solution for free standing plant
(not suitable for moving runway)

(For fixed plant (ie. where penetrations go through
the membrane see drawing no. 3.15)



Notes: All Surfaces must be prepared as per ICB Ltd's Written Instructions, and in accordance with the project specification.
All Adhesives must be used as per the Manufacturers' Instructions.

¹ To avoid thermal bridging, the upstand must be insulated to achieve a min. thermal resistance ('R' value) = 0.75 m²K/W.
This can be achieved by use of insulation as shown above or by other methods (eg. thermal insulation blocks)¹

Owner



Title/Name

Typical Section through Concrete Plinth support for Runways, Plant or similar

Drawing Number

3.8

Drawn By

RCT

Date

01-11-03

Scale

nts