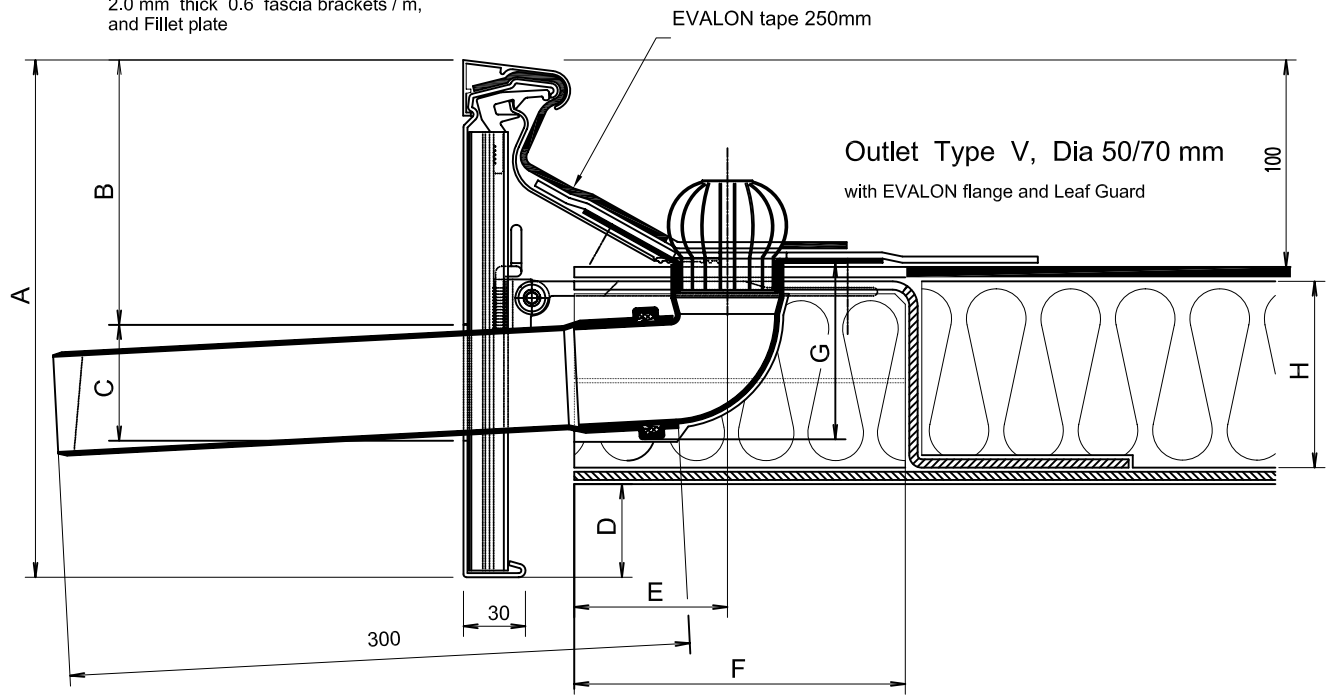
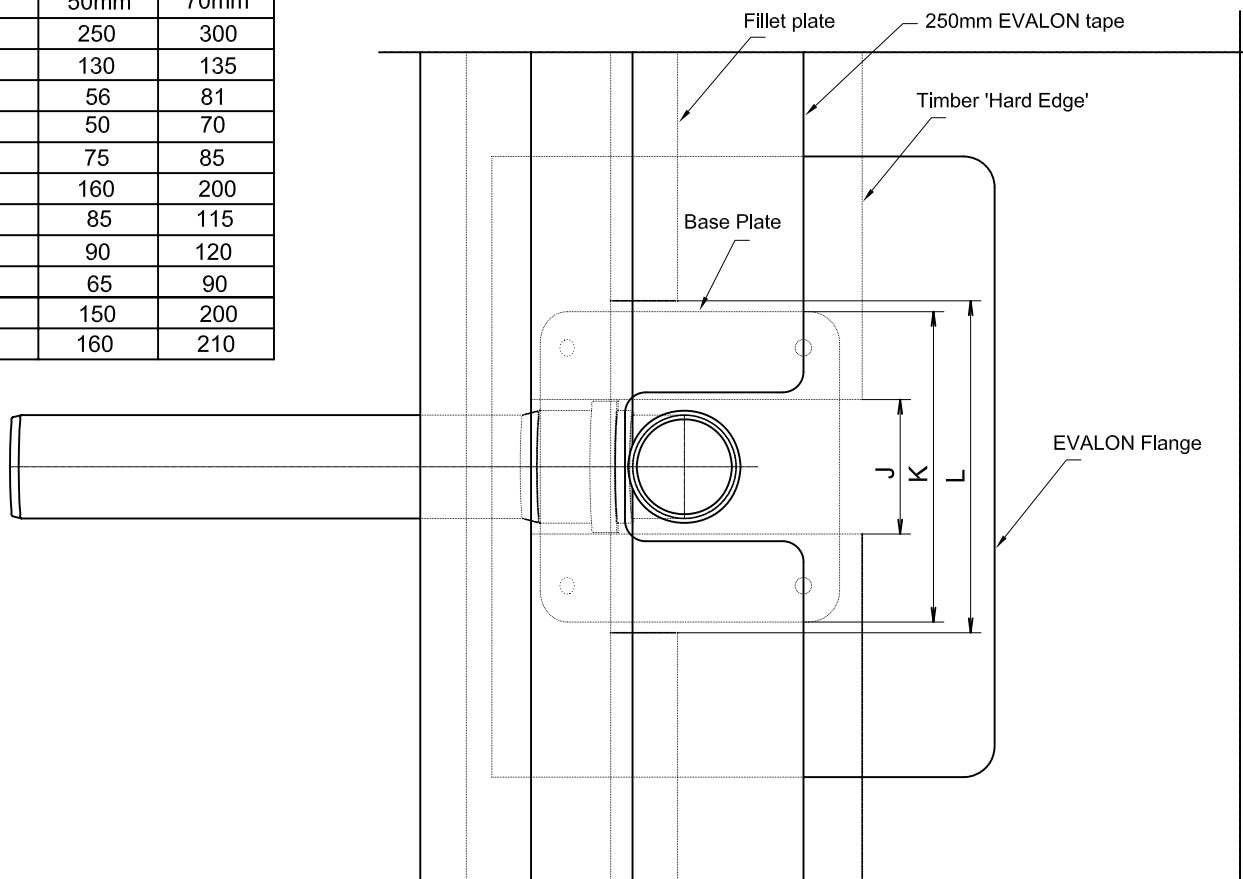


Fascia Profile

2.0 mm thick 0.6 fascia brackets / m, and Fillet plate



Dimension	Outlet	
	50mm	70mm
A	250	300
B	130	135
C	56	81
D	50	70
E	75	85
F	160	200
G	85	115
H	90	120
J	65	90
K	150	200
L	160	210



Note 1:

All surfaces must be prepared as per ICB Ltd's written instructions and in accordance with the Project Specification.
All adhesives must be used as per the Manufacturers' Instructions.

Note2:

All profiles to be installed as per alwitra's and ICB Ltd's written instructions.