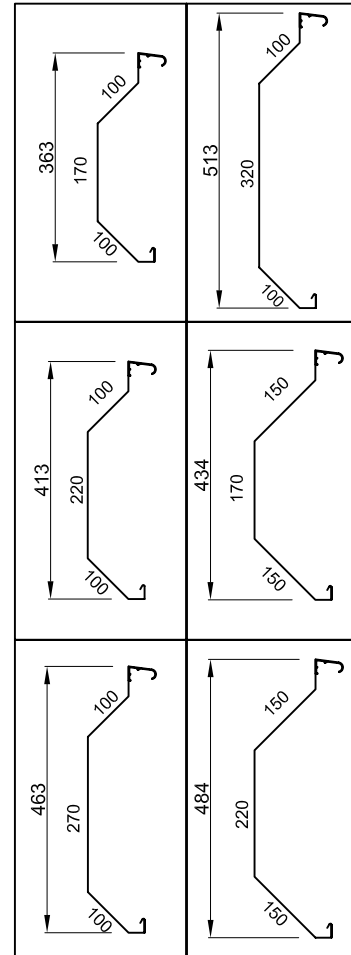
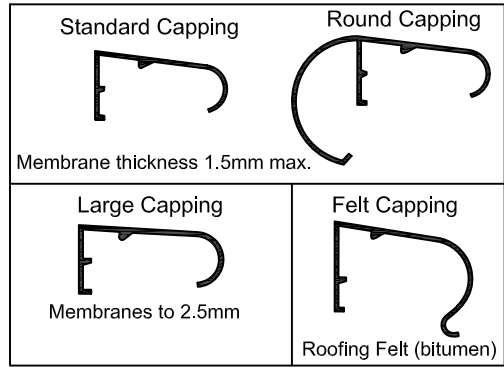
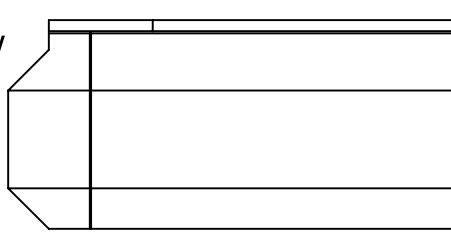


- ① Main Profile
- ② Capping Profile
- ③ Fillet Plate
- ④ 4F Holder
- ⑤ Spacer Plate
- ⑥ Corrugated Joining Plate
- ⑦ Connecting Membrane

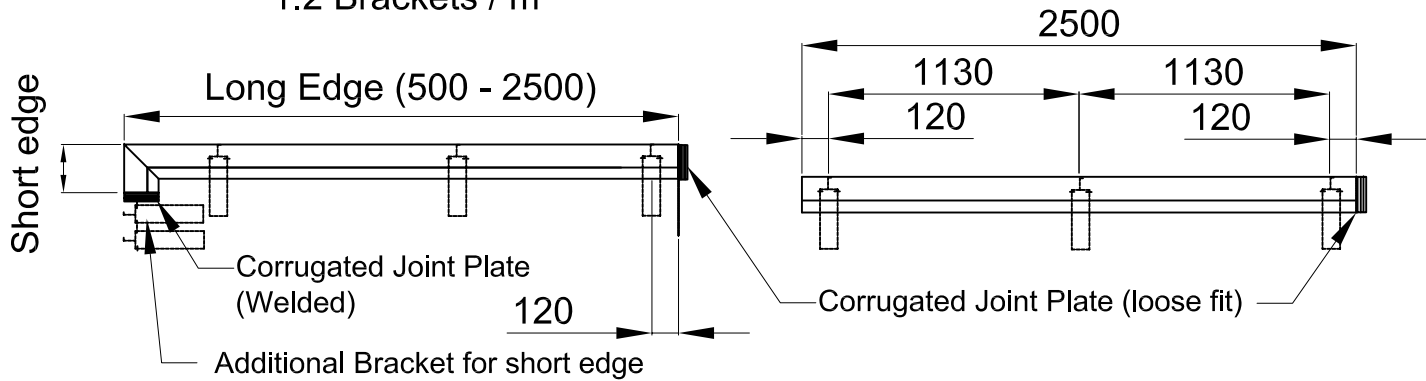


Corner View



**Spacing of Fixing Brackets**  
1.2 Brackets / m

Artline 2 - Standard Profile Sizes



Note 1:

All surfaces must be prepared as per ICB Ltd's written instructions and in accordance with the Project Specification.  
All adhesives must be used as per the Manufacturers' Instructions.

Note2:

All profiles to be installed as per alwitra's and ICB Ltd's written instructions.