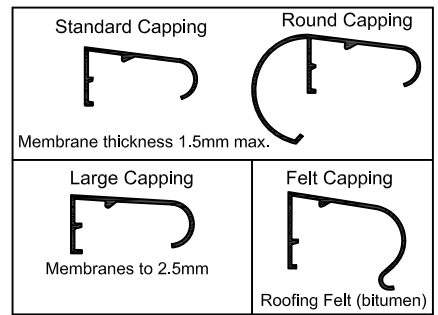
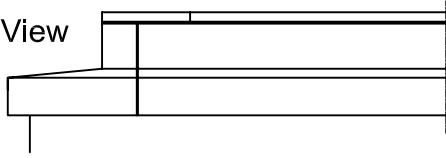


- ① Main Profile
- ② Capping Profile
- ③ Fillet Plate
- ④ 4F Holder
- ⑤ Spacer Plate
- ⑥ Corrugated Joining Plate
- ⑦ Connecting Membrane

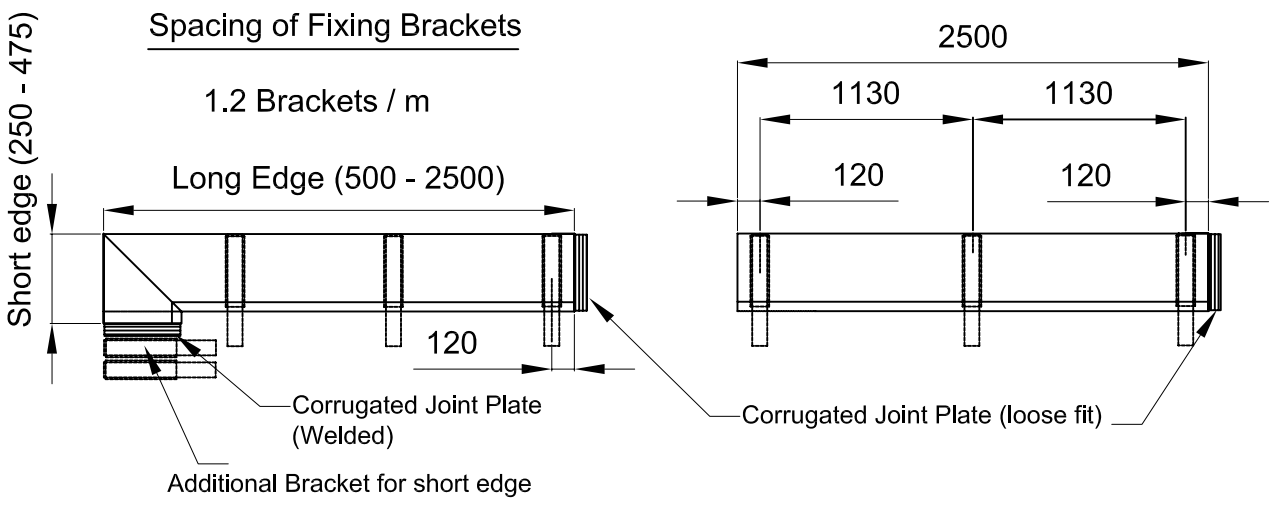


Corner View




Art Line 1 - Standard Profile Sizes

Spacing of Fixing Brackets



Note 1:  
 All surfaces must be prepared as per ICB Ltd's written instructions and in accordance with the Project Specification.  
 All adhesives must be used as per the Manufacturers' Instructions.

Note2:  
 All profiles to be installed as per alwitra's and ICB Ltd's written instructions.